

ILS loading system

Automatic short bar loader ILS-RBK 100

Space-saving precision turning of bar stock. Two type versions for workpiece bars up to 1200/1600 mm and 2200 mm in length respectively



The new loading flap allows the workpiece magazine to be reloaded safely without having to stop the machine. The cover is transparent to enable visual checking of all functions.

The workpiece bar is fed into the lathe in two steps. The bar is first pushed into the spindle liner tube by a pusher. The pusher rod then positions the bar in the chuck.

Loading technique

The spindle liner tubes are manufactured individually for every type of lathe. The close guidance of the workpiece in the spindle liner tube enables vibration-free processing, especially of square and hexagonal workpiece bars. The length of the spindle liner tube determines the maximum length of bar.

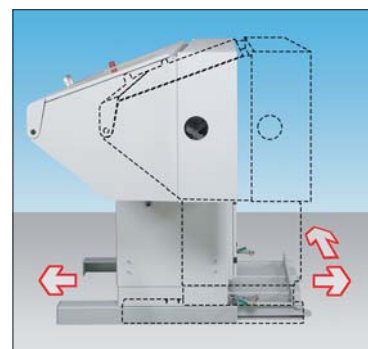
Spindle liner tubes for maximum process quality

This technology ensures gentle handling of the workpiece bars in the loading system.

Active Damping System ADS



Quick change of spindle liner tubes



The ILS-RBK is equipped with a linear guide to provide easy access to the spindle end of the lathe.

The direction of travel can be chosen according to the conditions at the lathe

Automatic short bar loader ILS-RBK 100

Compact technology for universal use in CNC turning operations

Quick changeover

The separator and the height of the guide prism are adjusted precisely and quickly by motor drive by entering the diameter of the material into the hand-held control unit.

Since only the spindle liner tube has to be changed, changeover of the ILS-RBK takes but a few seconds.



Layout plan

	B	L
ILS-RBK 10012	941	1925
ILS-RBK 10016	941	2325
ILS-RBK 10022	941	3125

All adjustments driven by electric motor.
Operation without compressed air.
Mirror-inverted construction optional.



The inclination of the workpiece magazine can be adjusted for profiled stock

Efficiency improvements for CNC lathes

Thanks to the minimal set-up work required for bar turning operations, use of an ILS short bar loader is even worthwhile for small lot production.

Type versions

- **ILS-RBK 10012**
Max. material diameter 102 mm
Max. material length 1200 mm
- **ILS-RBK 10016**
Max. material diameter 102 mm
Max. material length 1600 mm
- **ILS-RBK 10022**
Max. material diameter 102 mm
Max. material length 2200 mm

A separate brochure is available on the following short bar loader.

- **ILS-RBK 16016**
Max. material diameter 160 mm

Accessories

- Pads
- Spindle liner tubes in every diameter required
- Spindle extension

Take advantage of our experience

BREUNING has specialised exclusively in manufacturing superior material feed systems for decades.

Our comprehensive range of standard equipment contains all you need for efficient turning operations – from simple feed machines to our fully automatic, state-of-the-art ILS system.

If you are interested in rationalising your operations, contact us to arrange a meeting to discuss your conditions and aims so that we can draw up a proposal for you.

For further information or advice, please call or fax us.

Hand-held control unit



Kurt Breuning
IRCO Maschinenbau GmbH
Im Maurer 15
71144 Steinenbronn
GERMANY
Tel.: 0049 (0)7157 52860
Fax: 0049 (0)7157 528655
e-mail: technologie@breuning-irco.de
www.breuning-irco.de